



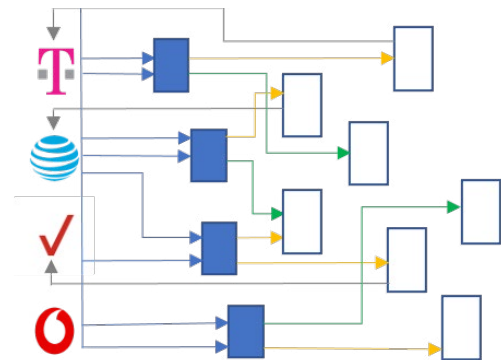
Customer Use Case: Revenue Assurance

Growing Pains

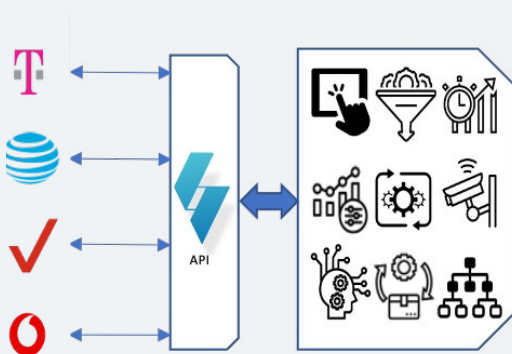
CallPass provides a wide array of GPS and IoT Solutions, as well as Integration Platforms allowing companies to maximize profitability through efficiency. Solutions include Tracking and Sensor Data to agriculture, construction, equipment rental, refrigeration, waste management transportation and vehicle industries.

They were experiencing issues with:

- Tools and processes being unable to manage 100k's devices.
- Overwhelmed device management staff.
- The inability to monitor usage systematically to control costs.



Multi-Carrier data stream systems become more complicated over time



The Simetric platform provides API integration through a single pane of glass.

The Simetric Solution

In a single pane of glass, Simetric provides control from the center to the edge. Simetric's API integration and bulk provisioning allow for seamless large-scale optimization while revenue assurance and business process automation enable savings reclamation and utilization. Simetric's platform enhances IoT solutions, reduces device management effort, and empowers business growth through revenue assurance.

Simetric at Work

Simetric's solution created an immediate value on day one of the implementation along with expanded successes for CallPass by streamlining the optimization workloads and recouping 30% of the cost in savings by leveraging optimization and business process automation. This enabled strategic reinvestment and revenue assurance.

Bill Constantine, Vice President of Operations at CallPass, said, "With Simetric, we have found an affordable, easy to implement option to enable the full potential of one of the most integral components to our business – cellular connectivity."



Simetric's savings drive predictable revenue assurance.

Discover the value of converting bulk data into actionable insights. Schedule a demo or start a Free Trial today at simetric.com.

© 2021 Simetric Inc. Simetric is a next-generation insights and management platform for your IoT ecosystem. It aggregates billions of records across global operators into one common, symmetric layer – simply and automatically – enabling real-time insights and actionable information for smarter IoT management. Simetric is purpose-built to drive profits by helping enterprises, operators, and devices themselves work more efficiently. By providing unified data, unprecedented visibility, and prescriptive analytics across global operators and millions of devices, Simetric helps enterprises and operators realize the full potential of IoT.

